
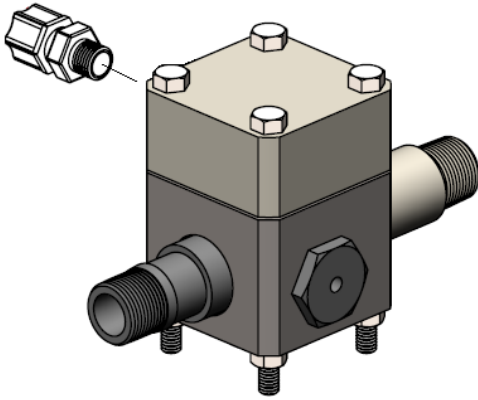
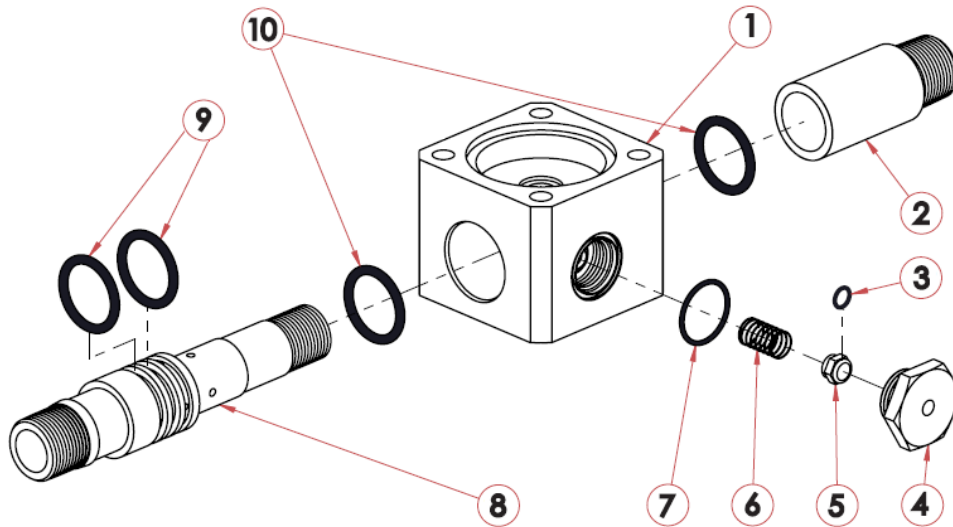


Item#	Qty.	Part #	Description	Item#	Qty.	Part #	Description
1	1	TCA-64	Tube Connector <i>¼" NPT x 3/8" tube</i>	9	1	EJA-146	Diaphragm Nut
2	4	BTA-136	5/16-18 x 4" Bolt	10	1	EJA-153	Bottom Body
3	1	EJA-238-250	Top Body	11	1	EJA-982	Multi-Purpose Diffuser
4	1	CVA-521	Valve Seat	12	2	OA-BUN-214	O-Ring
5	1	OA-CEM-210	O-Ring	13	4	NTA-104	5/16-18 Nut
6	1	EJA-236	Diaphragm Bolt	14	1	*See Note	Nozzle
7	1	DIA-105	Support Diaphragm	15	1	SPA-106	Spring
8	1	DIA-104	Diaphragm				
*NOTE: Available Nozzles: #7 ENA-016-106 (<i>10 PPD & Below</i>) #8 ENA-013-128 (<i>25 PPD & Below standard</i>) #9 ENA-015-156 (<i>50 PPD standard</i>) #10 ENA-012-191 (<i>100 PPD standard</i>)						Date: Jan 2023 Drawing #: EOA-10C	



**EXPLODED VIEW - ANTI-SIPHON EJECTOR
LOWER BODY SECTION**



ITEM NO.	DESCRIPTION	QUANTITY	PART NO.
1	Anti-Siphon Bottom Body	1	EJA-153-AS
2	Anti-Siphon Diffuser	1	EJA-ASD
3	O-Ring	1	OA-BUN-010
4	Hex Cap	1	EJA-555
5	Seat	1	EJA-556
6	Spring	1	SPA-150
7	O-Ring	1	OA-BUN-021
8	Anti-Siphon Nozzle	1	*SEE NOTE*
9	O-Ring	2	OA-BUN-121
10	O-Ring	2	OA-BUN-214

***Note:** Available Nozzles:

#8 - ENA-013-128-AS (25 ppd std.)

#10 - ENA-012-191-AS (100 ppd std.)



Ejector (Anti-Siphon)

Date: July 2016

Dwg. No. EOA-10C-AS